

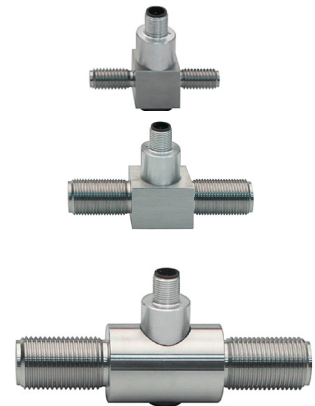
OEM – Tension-/Compression Force Transducer

with thin film sensor

Accuracy 0,2 %

Standard output signal: 4...20 mA, 2- wire technique

- Compact design
- Made of stainless steel
- Integrated amplifier
- Thin film implant
(instead of conventional glued strain gauge)



2 / 3 / 5 / 10 / 20 / 30 / 50 kN

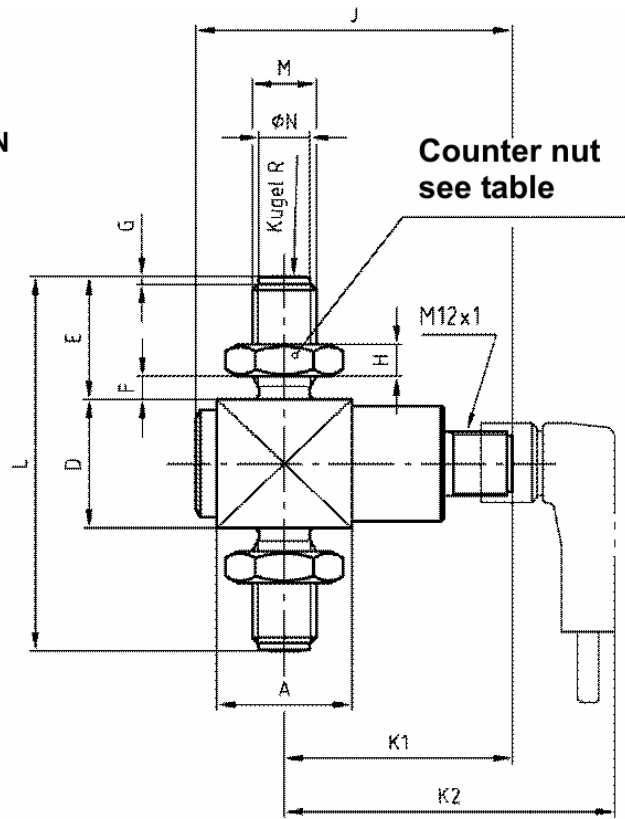
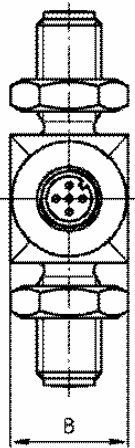
Technical Data

| | |
|-------------------------------|--|
| Model | 3540, 3550, 3560 |
| Nominal load F_{nom} | 2 / 3 / 5 / 10 / 20 / 30 / 50 kN |
| Limit load | 150 % F_{nom} |
| Fracture load | > 300 % F_{nom} |
| Permissible oscillation | +/- 80% F_{nom} acc. To DIN 50100 |
| Output signal | 4... 20 mA – 2-wire technique; |
| Max. output signal C_n | |
| Combined Error | < 0,2 % C_n |
| Hysteresis | < 0,1 % C_n |
| Creep, 30 min. with F_{nom} | 0,1 % C_n |
| Nominal temperature range | -20 °C ... 80 °C |
| Storage temperature range | -40 ... 100 °C |
| Temperature influence - span | < 0,2 % F_{nom} /10K |
| - zero | < 0,2 % F_{nom} /10K |
| point | |
| Vibration resistance | 20g, 100h, 50...150Hz acc. to IEC68-2-6 Fc |
| Protection type | IP 67 acc. to EN 60 529 / IEC 529 |
| Electrical connector | Connector M12x1 or cable outlet |
| Excitation voltage U_B | 10 ... 30 VDC |
| Drawing of current | Current output 4 ... 20 mA: signal |
| Burden | $\leq (U_B - 16V) / 0,024 A$ |
| Response time | $\leq 1 ms$ (within 10 % to 90 % F_{nom}) |
| Noisy emmission | acc. to EN 61326 |
| Resistance to jamming | acc. to EN 61326 |
| Electrical protection | Protection against short circuit, overvoltage and wrong polarity |

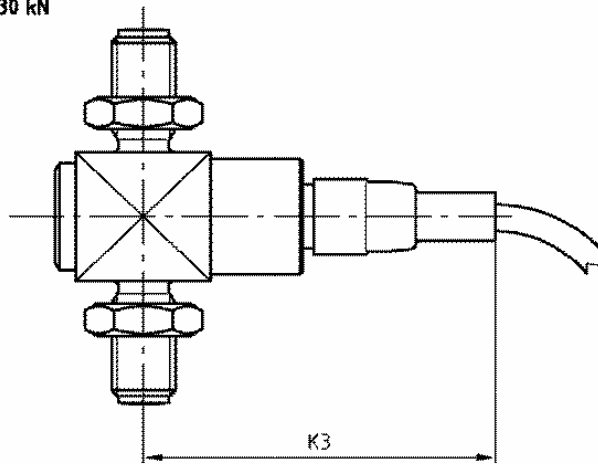
Construction, stainless steel 17-4 PH

Model No.: 3540, 3550, 3560

plug version 2-30 kN

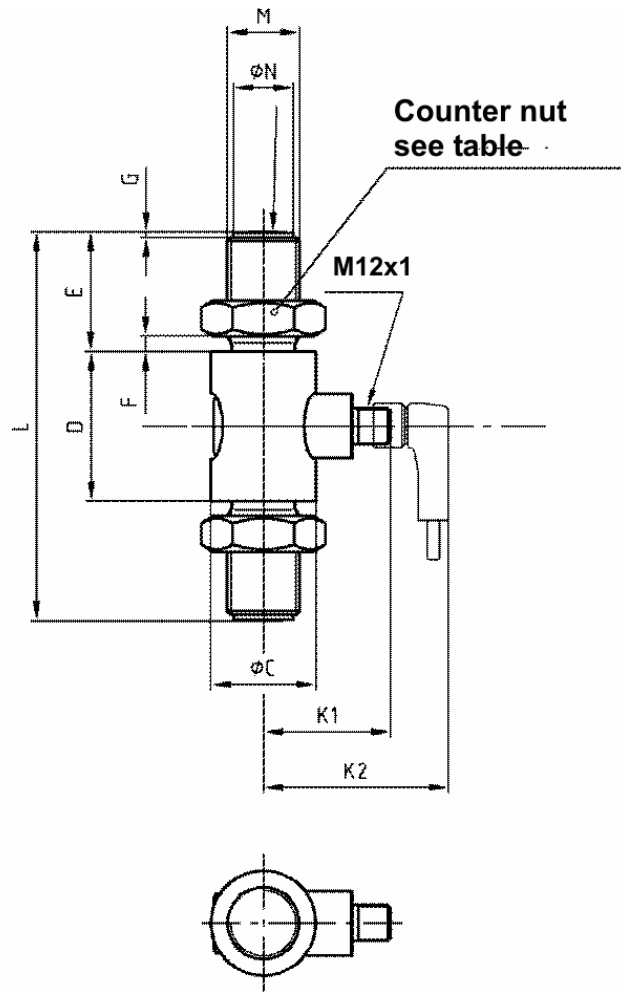
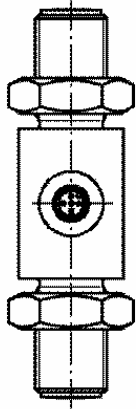


Version with cable outlet
2- 30 kN

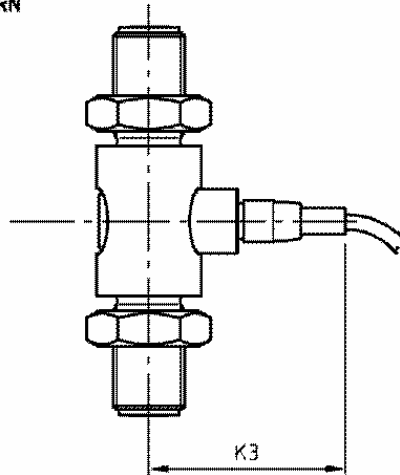


| Nominal load | A | B | D | E | F | G | H | J | K1 | K2 | K3 | L | M | $\phi N_{a.1}$ | Kugel R | M_A (Nm) |
|--------------|------|------|-----|----|-----|----|----|------|------|------|------|-----|---------|----------------|---------|------------|
| 2 kN | 25.2 | 22 | 24 | 23 | 4.3 | 15 | 6 | 59.2 | 42.6 | 61.8 | 65.8 | 70 | M12 | 9.5 | 60 | 60 |
| 5 kN | | | 31 | | | | | | | | | 77 | | | 80 | |
| 10 kN | | | 26 | | | | | | | | | 33 | | | 101 | |
| 20 kN | 27.5 | 27.5 | 40 | 34 | 3.8 | 2 | 10 | 61.5 | 43.8 | 63 | 67 | 108 | M20x1.5 | 17 | 100 | 300 |
| 30 kN | | | 120 | | | | | | | | | | | | | |

plug version 50 kN



Version with cable outlet
50 kN



| Nominal load | ϕC | D | E | F | G | H | K1 | K2 | K3 | L | M | $\phi N_{-0,1}$ | Kugel R | M_A (Nm) |
|--------------|----------|----|----|---|---|----|------|------|------|-----|-------|-----------------|---------|------------|
| 50 kN | 35 | 50 | 40 | 5 | 2 | 12 | 42.6 | 61.8 | 65.8 | 130 | M24x2 | 20 | 150 | 500 |