

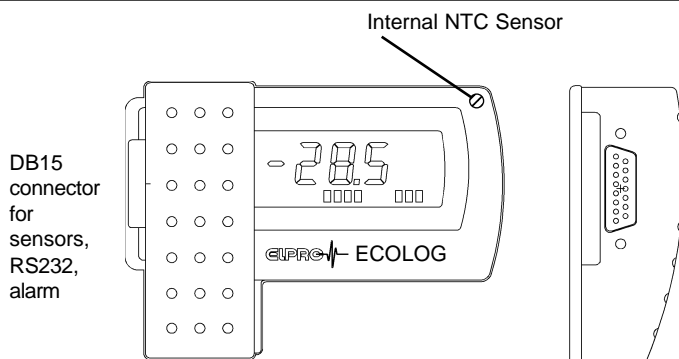


ECOLOG TN3-P Datalogger System for Temperature

Part No. : 2420-P

Technical Data

- General:** 3 channel datalogger with display and alarm functions
Case: Thermoplastic ABS, waterproof, suitable for foodstuff applications, 110x85x35mm
Display: Large LCD display, visible down to -20°C, with alarm indication
- Memory:** 64'000 data points (128 kB)
 Loop memory or start - stop mode with ext. start option
- Interval:** Programmable, 1 second to 3 hours,
Log Period: Days, months, years
Alarm: External on DB15, and alarm display on LCD screen (programmable)
- Operating:** -35°C...+55°C, display readable down to -20°C
Measuring: 1 built-in NTC sensor -35°C...+55°C and/or up to 3 external NTC sensors -50°C...+140°C
Battery: 1x Lithium 3.6V, user-replaceable, life-span approx. 2 years
 Low-battery warning for the remaining 6 months of operation
- Evaluation:** PC software elproLOG WIN for all communication, reprogramming, display, statistics and printout (fast data transmission RS232 with 38 400 Baud)
- Features:** Direct printout of short protocol (serial printer RS232 w. 9600 Baud)
 Start extern and InPos with DB15 start socket, display alarm reset with DB15 reset socket

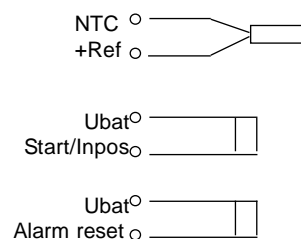


Accessories:	Part No.
Data cable PC	2318
Data cable printer serial	2309-F
Simple fixation bracket	2804-A
Mounting bracket for DB15	2804-B
Bracket with screw terminals	2804-C..
Seiko DPU414 protocol printer	2319
Scriptos protocol printer	2319-ST
PC evaluation software	2338-CDV
NTC temperature sensors	see separate list
DB15 socket Start / Inpos	3032-IS
DB15 socket Alarm reset	3032-EA
DB15 socket for sensor etc.	3032

DB15 connector on ECOLOG

8	GND	15	RxD
7	TxD	14	Busy
6	NTC2	13	Res.
5	+Ref	12	Start/Inpos
4	Res.	11	Ubat.
3	NTC3	10	Alarm reset
2	+Ref.	9	Alarm
1	NTC1		

Wiring Diagramme



ECOLOG with Simple Fixation Bracket 2804-A

