

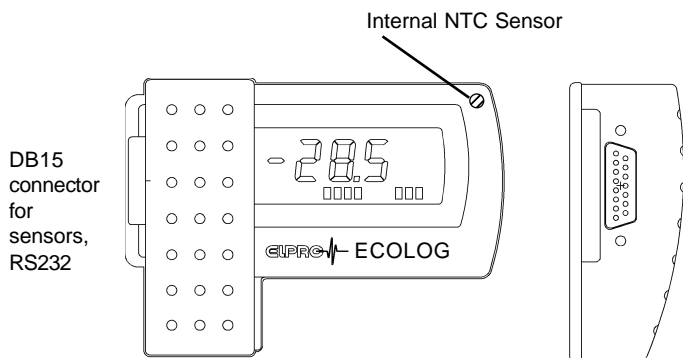


## ECOLOG TN2 Datalogger System for Temperature

Part No. : 2420

### Technical Data

General:	2 channel datalogger with display and alarm functions
Case:	Thermoplastic ABS, waterproof, suitable for foodstuff applications, 110x85x35mm
Display:	Large LCD display, visible down to -20°C, with alarm indication
Memory:	64'000 data points (128 kB) Loop memory or start - stop mode with ext. start option
Interval:	Programmable, 1 second to 3 hours,
Log Period:	Days, months, years
Alarm:	No external, but alarm display on LCD screen (programmable)
Operating:	-35°C...+55°C, display readable down to -20°C
Measuring:	1 built-in NTC sensor -35°C...+55°C and/or up to 2 external NTC sensors -50°C...+140°C
Battery:	1x Lithium 3.6V, user-replaceable, life-span approx. 2 years Low-battery warning for the remaining 6 months of operation
Evaluation:	PC software elproLOG WIN for all communication, reprogramming, display, statistics and printout (fast data transmission RS232 with 38 400 Baud)
Features:	Start extern and InPos with DB15 start socket, display alarm reset with DB15 reset socket

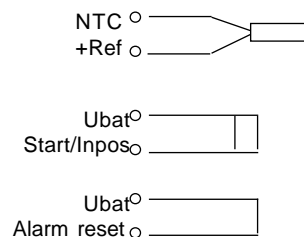


Accessories:	Part No.
Data cable PC	2318
Simple fixation bracket	2804-A
Mounting bracket for DB15	2804-B
PC evaluation software	2338-CDV
NTC temperature sensors	see separate list
DB15 socket Start / Inpos	3032-IS
DB15 socket Alarm reset	3032-EA
DB15 socket for sensor etc.	3032

### DB15 Connector on ECOLOG

8	GND	15	RxD
7	TxD	14	Busy
6	NTC2	13	Res.
5	+Ref	12	Start/Inpos
4	Res.	11	Ubat.
3	Res.	10	Alarm reset
2	+Ref.	9	Res.
1	NTC1		

### Wiring Diagramme



### ECOLOG with Simple Fixation Bracket 2804-A

